

Solar absorber & heat pump technics
for outdoor swimming pools, indoor pools and
hotels
with

SOLKAV



Reduce your heating costs with help of the sun for
30 % to 90%.

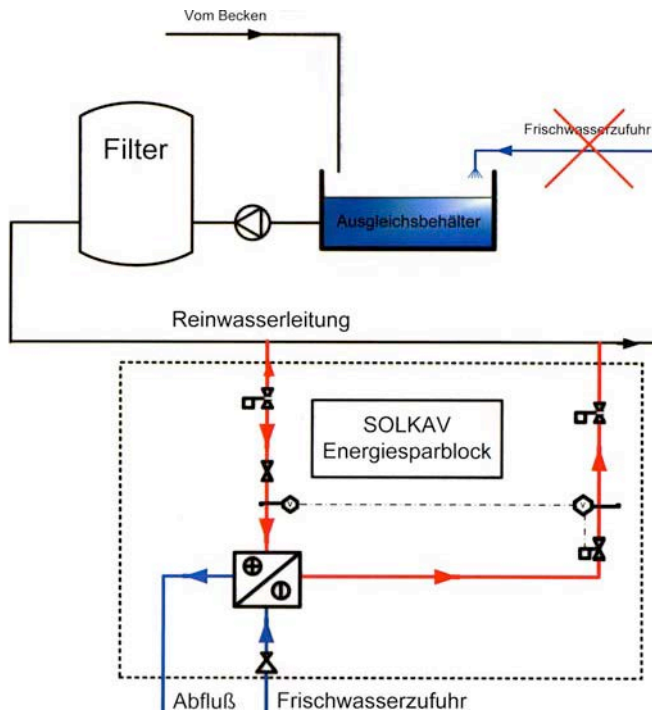
We have installed our indoor and outdoor solutions with more than
200 outdoor pools and more than 20 indoor pools.

Yes! also **indoor pools can save heat through solar technology** ; with
investments that will pay off within approx. **5 years** – just due to the
savings of energy.

(product life expectancy of clearly more than 15 YEARS)

Solkav has developed a complete product range in the area of **energy saving pool and shower water heating and uses it** for many of its facilities and devices. We can also provide you with an individual mix from this range, perfectly suited for you.

SOLKAV Energy savings block



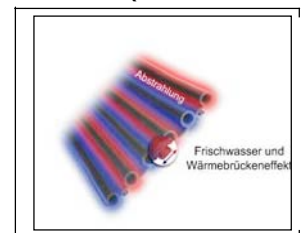
Resolving water retrieval with the Solkav energy savings block

- leads the heat back to the drained bathing water and back to the added fresh water
- heat loss 0.75°
- automatic level regulation
- for continuous fresh water addition
- as well as for back flushing
- also suitable for salt water
- also reduces the need of fresh water addition
- can be installed additionally at any time
- costs little but has a high effect
- payback through the energy saving – very often already within 2.5 – 3.5 yrs

SOLKAV Classic Absorber

EPDM Absorber of the latest generation antistatic with SOLKAV ALS rubber mix

- hence no a-flocking
- 85% efficiency factor (ETA 0)
- energy optimized
 - due to Tichelmann's piping
 - **return loop principle** for reduced average temperature balance (>> reduced loss to the air)

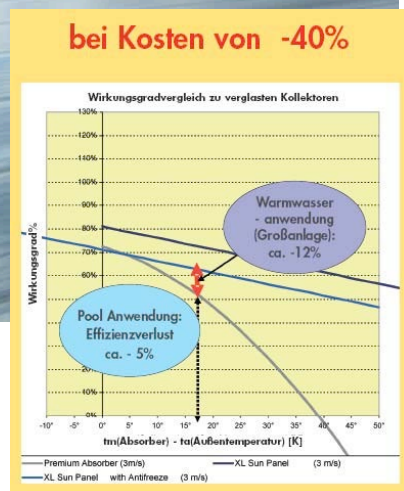
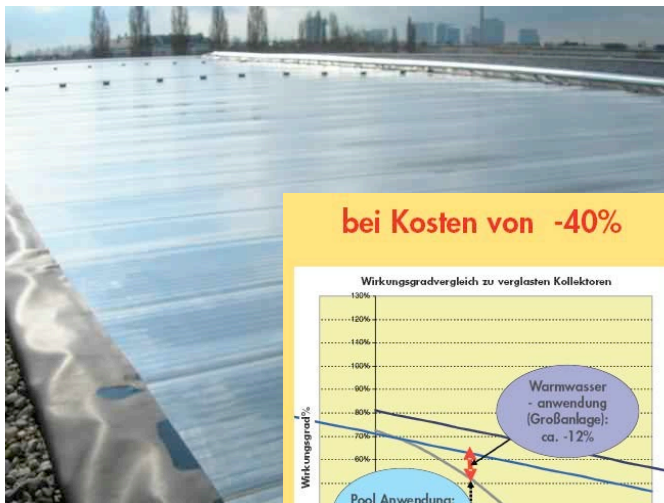


>>> 10% to 15% more efficient than regular technics

- glued onto the roof or fixed on rails.



SOLKAV Premium Solar Absorber

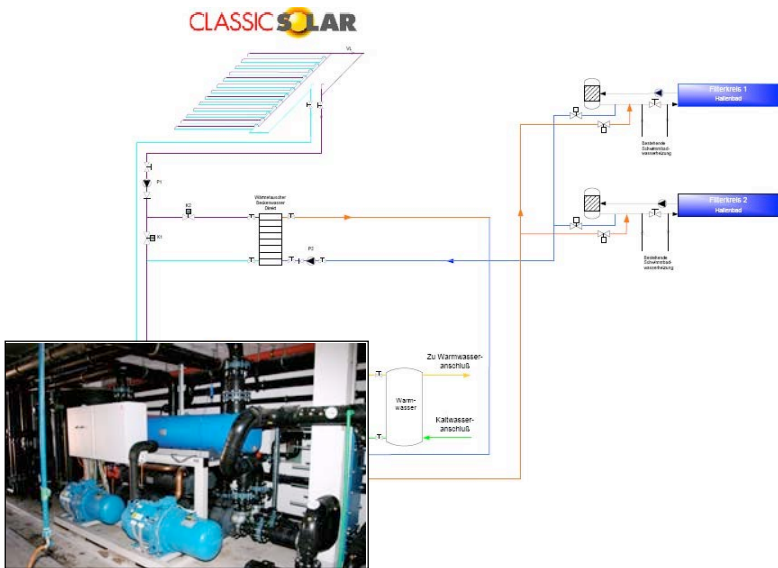


Premium solar absorber is perfect for indoor-pools

- EPDM in the Lexan sandwich coat
- unites the advantages of the solar absorber
 - independence from the irradiation angle
- >>> problem-free flat roof installation
 - high volume flow rate with the advantages of a glazed collector
 - higher circulating temperature with a solution, that costs 40% less, once installed and hence can be used cost-effectively in the outdoor area.
- Concerning indoor pools it is ideal in case suitable areas are lacking (approx. 25% of the reduced area need) compared to standard absorbers.
- also for combinations of pool water and shower water.

“heat in the mornings your pool, in the afternoon your shower water”

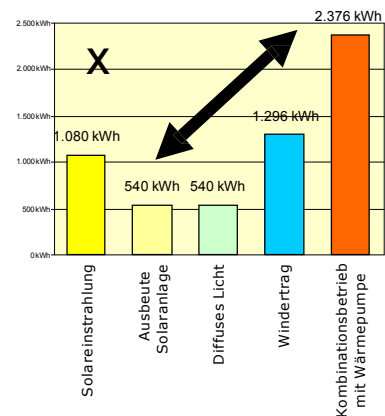
SOLKAV Solar absorber Heat Pump Systems



The patented solar absorber and the heat pump combination concept

- uses the solar absorber throughout the year
- and 24 hours a day
 - solar direct during sunshine
 - at night and in case of bad weather conditions by help of the heat pump

Wärmeertrag p.a. des Solarabsorbers in Kombination mit Wärmepumpe



4,5 times more effective than standard solar devices

- for bathing water and shower water
- pays off within **5 years due to the energy savings**
- also available with a gas engine
- **built in Europe 20 x**
- our reference customers are **"Stadt Wien" or "Bäderland Hamburg", amongst others**

SOLKAV Sport Solar Absorber



SPORT Solar
is the year-long proved combination of solar absorber technics and walkable floor.

- Sport Solar is a EPDM – PU mixture, similar to a tartan track
 - non-slip
 - injury-safe
 - flexibly adaptable to any ground
- in case you have no space on your roof
- or if you also want to use your facility as an ice-skating rink during winter



- for minor installations also as FLIP



**Please contact us and we
will compile your free and
individual heat saving
concept.**

SOLKAV GmbH:

Floridusgasse 26

A-1210 Wien

office@sol kav.eu

www.sol kav.eu

+43 (0)27 45/830 28- 0

